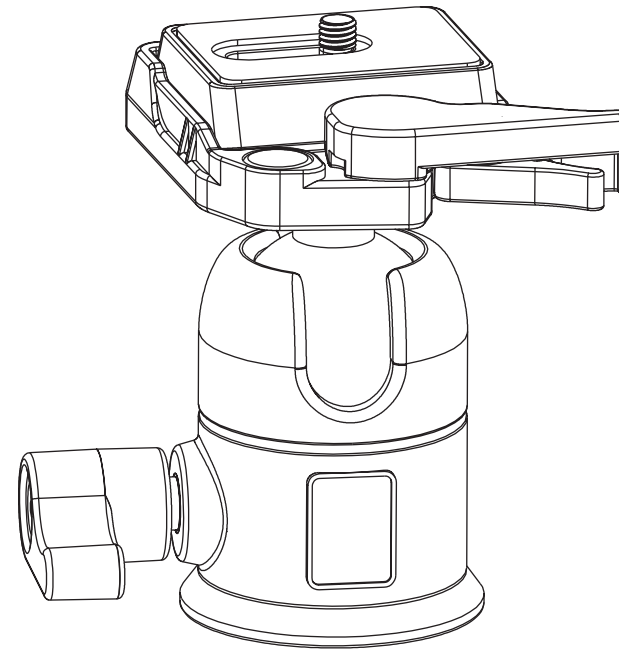


BENRO®

Operating Instructions

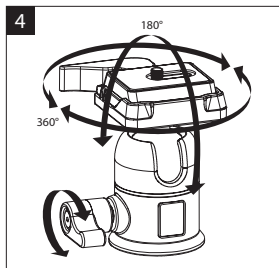
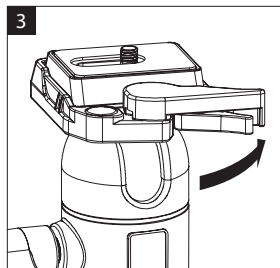
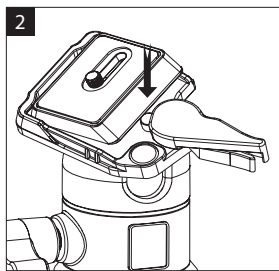
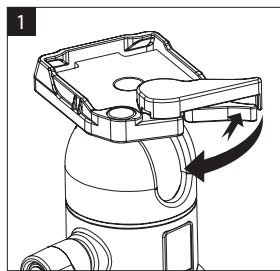
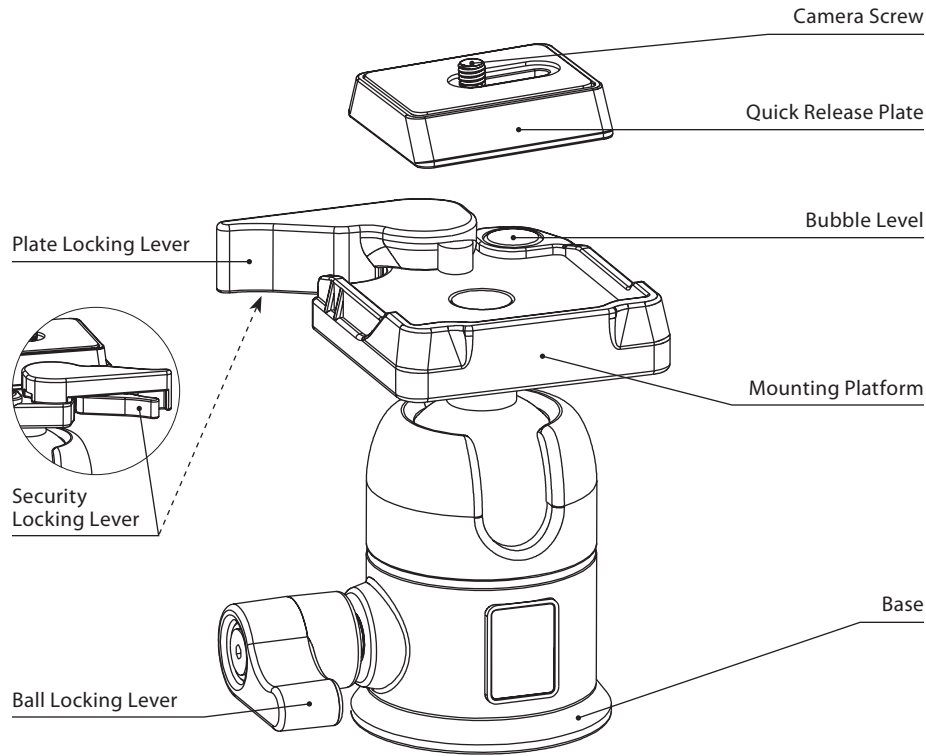
Thank you for making Benro your choice for professional photographic equipment. Your Benro gear is manufactured to provide years of dependable service. In order to obtain optimum satisfaction and performance, we suggest that you carefully read these instructions.



BENRO®

75 Virginia Road
North White Plains, NY 10603
T 914.347.3300
F 914.347.3309
info@BenroUSA.com
BenroUSA.com

Specifications and design are subject
to change without notice.



SETUP

Head Mounting

Install by screwing the head clockwise onto the 3/8" Mounting Thread of the Top Plate of the Tripod or Monopod. Once it is hand tight, secure by fully tightening the Head Locking Screw(s) (on select models) from below.

OPERATION

The single-action Ball Locking Lever controls all movements of the BH Series Ballheads. When released, the Ballhead and the Mounting Platform can move freely within a 360° rotational adjustment. And two U-shaped openings on opposite sides provide 90° angular movement of the Mounting Platform.

Quick Release Plate

The BH Series Single-Action Ballheads incorporate a Quick Release Plate system. It offers a quick method of mounting or releasing a Camera or Equipment from the Head. It's important that the correct Quick Release Plate be used along with the proper mounting screw (1/4-20 is included as the standard size but spare 1/4-20 and 3/8 plates are available as accessories). Extra Plates are recommended as you can screw one to each Camera or Lens for even greater convenience when rapidly mounting and dismounting gear.

Quick Release Locking Lever

(FIGURES 1, 2 & 3)

When used properly, the patented Dual Lock Quick Release system offers two levels of security for your gear. To remove the Quick Release Plate, squeeze both the Plate Locking Lever and the Security Locking Lever and pull the larger Locking Lever out. The Quick Release Plate will disengage allowing it to be removed.

To reconnect the Quick Release Plate, insert the angled part of the Plate into the groove on the opposite side of the Locking Levers and press down flat. The Locking Levers will automatically engage the locking system and will return to the safety lock position. Press the Plate Locking Lever in firmly to secure.

Ball Locking Lever (FIGURE 4)

The single-action Ball Locking Lever is spring-loaded and can be repositioned when it is in the lock position to accommodate any desired Lever position. To reposition, gently pull on the Lever to disengage, and then allow the spring to pull the lever back to reengage.

NOTE: Do not over tighten the Locking Lever as this could damage the Ballhead locking mechanism.

USER NOTICE

- Do not exceed the maximum specified load capacity (see specifications at www.BenroUSA.com).
- Always ensure that all Ballhead locks are tightly engaged before mounting any gear.
- Always clean and dry any ballhead after it has been exposed to wet, dusty, sandy or salty conditions. Your Ballhead is not recommended for use in salt water. If required, clean Ballhead using a mild soap solution applied with a soft cloth, rinse with fresh water and dry with soft towel. Remove any dust, dirt or sand from all locks and all moving parts.
- Do not leave any Ballhead in the sun for prolonged periods and avoid high temperature exposure.
- Avoid leaving any Tripod or Monopod unattended in areas where people could trip over the gear and get hurt.
- Remove camera, lens, and all gear from any Tripod or Monopod when transporting.
- For your safety, don't let your Benro gear come in contact with any electrical power source.