

BENRO®

Operating Instructions

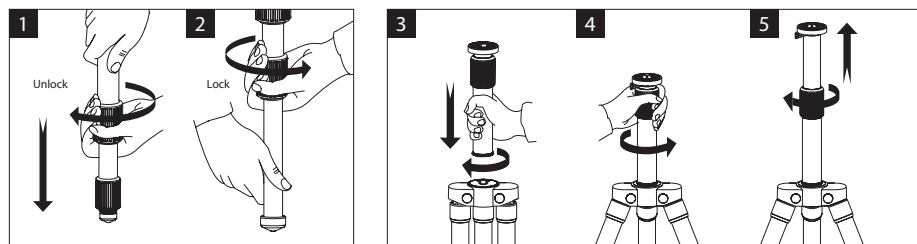
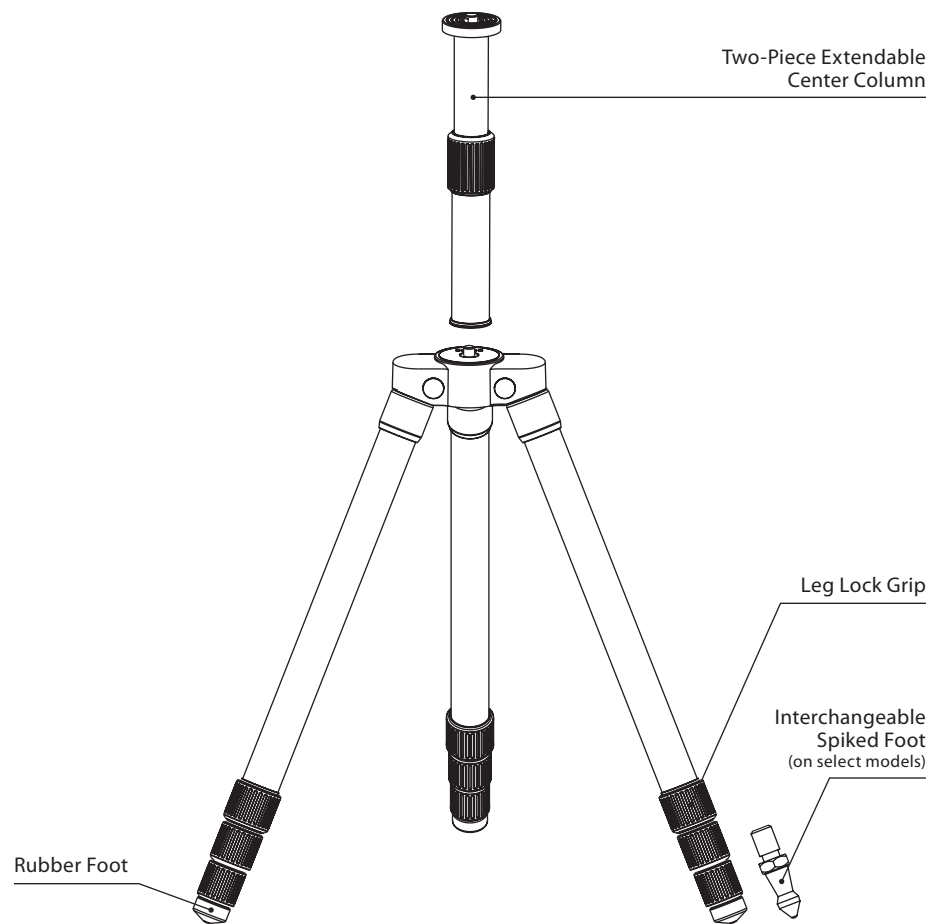
Thank you for making Benro your choice for professional photographic equipment. Your Benro gear is manufactured to provide years of dependable service. In order to obtain optimum satisfaction and performance, we suggest that you carefully read these instructions.



BENRO®

75 Virginia Road
North White Plains, NY 10603
T 914.347.3300
F 914.347.3309
info@BenroUSA.com
BenroUSA.com

Specifications and design are subject
to change without notice.



SETUP

Head Mounting (FIGURES 1 & 2)

If your Tripod did not come with a Head, select one of the fine Benro Ballheads or Panheads that match your size Tripod and install by screwing the Head clockwise onto the 3/8" Mounting Thread of the Top Plate.

OPERATION

Before using your Tripod, firmly pull the three Legs out until they stop and adjust each Leg Section to the desired height.

Make sure that the Tripod is firmly resting on a level surface and mount your camera securely on the Tripod Head. Always engage any safety locks on the Tripod Head to prevent any accidental dismounting.

FOR BEST RESULTS: Do not raise the Tripod higher than necessary and extend the largest diameter Leg Sections first. Only add the Center Column if required to reach maximum height or to fine-tune the vertical position.

NOTE: Never carry your Tripod with camera gear attached.

Leg Section Adjustment (FIGURES 1 & 2)

Each Leg section can be adjusted to the desired length by turning the leg lock grip 1/2 turn (180°) clockwise until the Leg is free to slide in or out. Once the desired length is achieved, turn the Leg Lock Grip counter-clockwise until the Leg Section is securely locked. Repeat this step for each Leg and each Section until the Tripod is set to the desired height.

NOTE: To prevent any accidental damage to your gear, always remove any mounted equipment (camera, etc.) from the Tripod before adjusting the Leg Sections.

Center Column (FIGURES 3, 4 & 5)

The Center Column can be attached when additional height is required. Simply screw the Center Column onto the Tripod Top Plate. The Center Column has two sections and can be extended using the Lock Grip adjustments similar to the Lock Grips on the Leg Sections.

NOTE: Take special care when raising or lowering the Center Column, if a camera or equipment is mounted on the Tripod. Never loosen the Center Column Locking Knob without holding the Center Column. Failure to follow these instructions could result in damaged equipment.

Interchangeable Spiked and Rubber Feet (select models) (MAIN FIGURE)

Most Benro tripods include interchangeable Stainless Steel Spiked or Rubber Feet. They provide the right contact depending on the surface or terrain that the tripod will be used in. To remove the Rubber Feet simply unscrew each Rubber Foot counter-clockwise and replace with the provided Spiked Feet. Tighten the Spiked Feet using the included Wrench.

USER NOTICE

- Do not exceed the maximum specified load capacity (see specifications at www.BenroUSA.com).
- Always ensure that Leg and Head Locks are tightly engaged before mounting any gear on your Tripod.
- Always clean and dry any Tripod after it has been exposed to wet, dusty, sandy or salty conditions. Your Tripod is not recommended for use in salt water. If required, clean tripod using a mild soap solution applied with a soft cloth, rinse with fresh water and dry with soft towel. Remove any dust, dirt or sand from all Leg Locks, Leg Sections and all moving parts.
- Do not leave any Tripod in the sun for prolonged periods and avoid high temperature exposure.
- Avoid leaving any Tripod or Monopod unattended in areas where people could trip over the gear and get hurt.
- Remove camera, lens, and all gear from any tripod when transporting.
- For your safety, don't let your Benro gear come in contact with any electrical power source.